

MAGICART

How to be A Global Leader in Services?

Many of us are facing after-sales trouble no matter private or governmental control company, time is invaluable and most worrying for us. Once the machine shut down, the production shut down either, and we start to lose money quickly and come to an operation crisis So what we do here?

- ◆ Fast Action in Services
- ◆ Unconditional Parts Supply
- ◆ Strong Professionalism
- ◆ Spotless Satisfaction

This is how MAGICART started to make business. What we do is giving the fastest services after supplying high-quality level products.

XINXIANG MAGICART CRANES CO., LTD

新乡市魔工起重机有限公司

Email: info@magicartcranes.com

Tel: +86 373 5853707 , +86 373 5853727

Phone: +86 151 37380574

www.magicartcranes.com

地址：中国-河南省新乡市公元国际#1523

About Us

MAGICART is a leading manufacturer and service provider of cranes and material handling equipment, dedicated to the R & D, design, manufacturing, installation and service of cranes and material handling technology.

MAGICART owns comprehensive products, reliable quality, excellent performance, efficient service. The products are distributed in more than 30 countries and regions around the world. It is widely used in more than 20 professional fields, such as equipment manufacturing, logistics, energy, electric power, shipbuilding, metallurgy, ports, infrastructure, metal processing, hydropower stations, automobile manufacturing, and aerospace.

MAGICART's main products are overhead crane, gantry crane, rubber tyred gantry crane, portal jib crane, dock arm, jib crane, electric hoist, customized crane system and lifting accessories. MAGICART has saved customers huge cost in machine purchase and life cycle operating after long-term technological innovation.

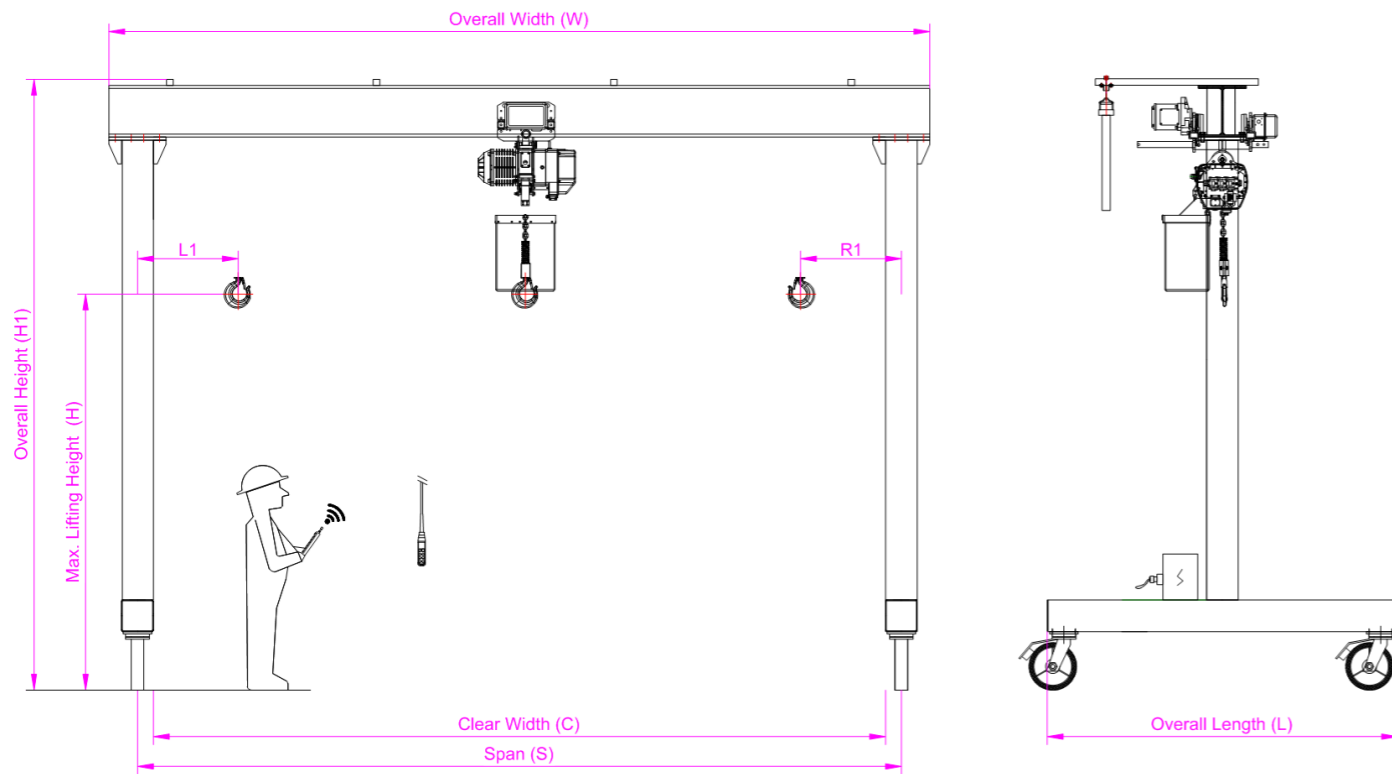
Through long-term unremitting efforts , MAGICART will provide clients with the best cost-effective products to fulfill its mission: **promote client's business!**

- **Easy Carrier Portable Gantry Crane (500kg~12.5 ton)**



Easy Carrier (Portable Gantry Crane)

Capacity: 500kg ~12.5 ton



Model	SWL / Load Capacity	Clear Width (m)	Max Lifting height (m)
EP 500	500 kg	2~8	2~5
EP 1000	1000 kg	2~8	2~5
EP 1500	1500 kg	2~8	2~5
EP 2000	2 ton	2~8	2~5
EP 2500	2.5 ton	2~8	2~5
EP 3000	3 ton	2~8	2~5
EP 5000	5 ton	2~8	2~5
EP 8000	8 ton	2~8	2~5
EP 10	10 ton	2~8	2~5
EP 12.5	12.5 ton	2~8	2~5
	Customized	Customized	Customized

1) Necessary Info needed from client for offer

- SWL / Load Capacity
- Clear Width (C) or Span (S)
- Max. Lifting Height (H)
- Quantity of crane
- Power Voltage

Option :

- Pendant control or Remote control
- Indoor or Outdoor
- Anti-explosion

Features & Advantages

- Lifting is electric chain hoist/ electric trolley : fast move, high efficiency
- Powered by AC 200~460V, single phase/3phase (cable access)
- Fast cable plug for cable access
- 4 Universal wheel with safety brake: super easy to push manually for steer and travel
- Emergency Stop Button (Outdoor safety type)
- High-quality pendent controller
- Festoon Cable system
- 4 Towing Points for easier pull / push



Why our proposal is so attractive?

Technology Advantages

- Advanced technology in crane structure design
- Advanced electric & hydraulic control system



Reliable Fast Services

- Solve-trouble firstly in company rules
- Professional & fast action in solution



Excellent Performance

- 100% performance tested in factory
- Continuous performance optimized plan



Guaranteed Quality

- Qualified components for every part
- 2 years warranty services



How to find out the best solution for lifting job?

Just Call 0086 373 5853707



info@magicartcranes.com

Tel: +86 373 5853707 , +86 373 5853727

XINXIANG MAGICART CRANES CO., LTD

www.magicartcranes.com